

KEY FEATURES

- 1,4" (36 mm) high frequency compression driver
- 1,75" (44,4 mm) voice coil diameter
- 140 W program power above 1,2 kHz
- Sensitivity: 110 dB (1W / 1m)
- PM-4 polymer diaphragm
- Ultra lightweight edgewound aluminium voice coil
- Aluminium cover
- Neodymium magnet

TECHNICAL SPECIFICATIONS

Throat diameter	36 mm	1,4 in
Rated impedance		8 Ω
Minimum impedance	5,2 Ω @ 4,5 kHz	
D.C. resistance		4,3 Ω
Power capacity*	70 W _{AES} above 1,2 kHz	
Program power	140 W above 1,2 kHz	
Sensitivity**	110 dB 1W / 1m @ Z _N coupled to TD-365	
Frequency range		0,7 - 19 kHz
Recommended crossover	1,2 kHz or higher (12 dB/oct min.)	
Voice coil diameter	44,4 mm	1,75 in
Flux density		1,65 T
BL factor		6,6 N/A

MOUNTING INFORMATION

Overall diameter	115 mm	4,5 in
Depth	76 mm	2,9 in
Mounting	Four M6 threaded holes, 90° apart on 101,6 mm (4") diameter circle	
Net weight	1,5 kg	3,3 lb
Shipping weight	2,2 kg	4,8 lb

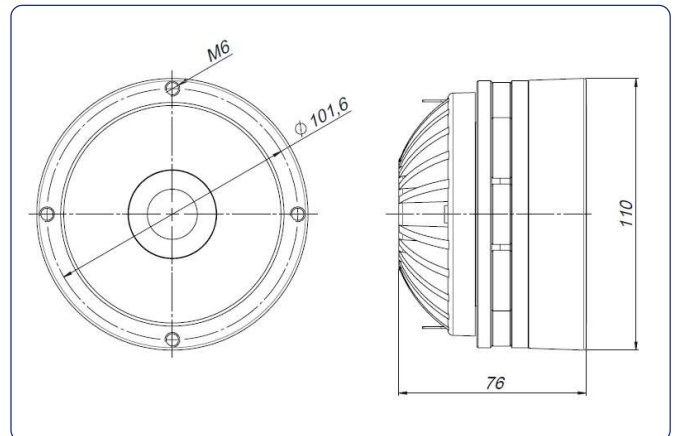
Notes:

* The power capacity is determined according to AES2-1984 (r2003) standard. Program power is defined as the transducer's ability to handle normal music program material.

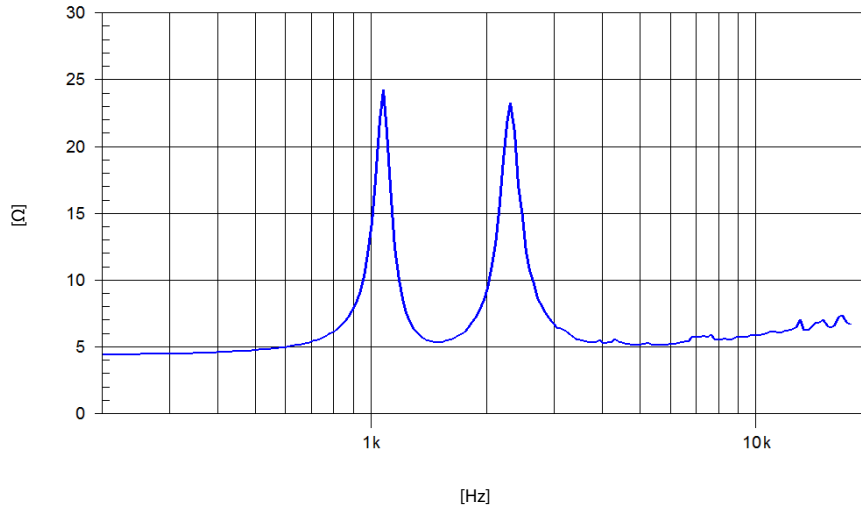
** Sensitivity was measured at 1m distance, on axis, with 2,83 V input, averaged in the range 1 - 7 kHz.



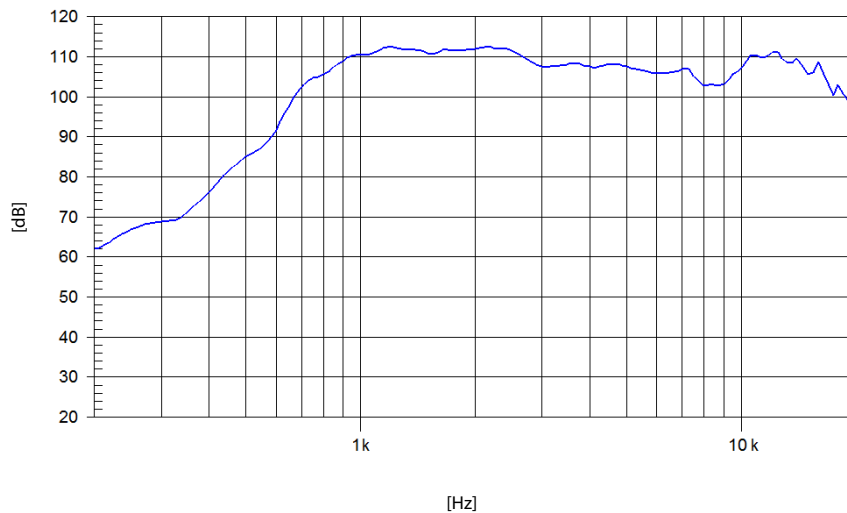
DIMENSION DRAWINGS



FREE AIR IMPEDANCE CURVE



FREQUENCY RESPONSE



Note: On axis frequency response measured coupled to TD-385 horn in anechoic chamber, 2,83 v @ 1m